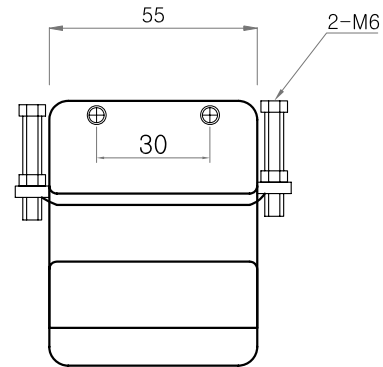


FRONT VIEW



SIDE VIEW

정격/Rating

적용규격 / Standard	KSC 1706
최고전압 / Max Voltage	1.15Kv
정격부담 / Rated Burden	5~40VA
정밀계급 / Accuracy Class	1.0~3.0
정격과 전류 / Over Current Factor	40In/1Sec
주파수 / Frequency	50~60Hz
2차전류 / 2' ry Current(A)	5 or 1

제원 / Dimensions

Model	Rated(A)	A	B	C	D	Weight(Kg)
CD-20	100~500	55	110	60	10	0.75
CD-21	600~1200	80	131	70	15	1.0
CD-22	1500~2500	105	160	85	30	1.7
CD-23	2000~4000	130	205	120	40	2.7
CD-24	3000~6000	160	260	175	65	4.0

Daeboong
(주)대봉 E&C

PROJEC TTITLE

계기용 변류기

CHK'D BY

SCALE 1 : 2

DRAWING TITLE

B.C.C NO

JOB NO

REV NO

CHK'D BY

DATE 2008. 5. 8

Window Type

DRWG NO

SHEET NO

CHK'D BY

DRWN BY

10