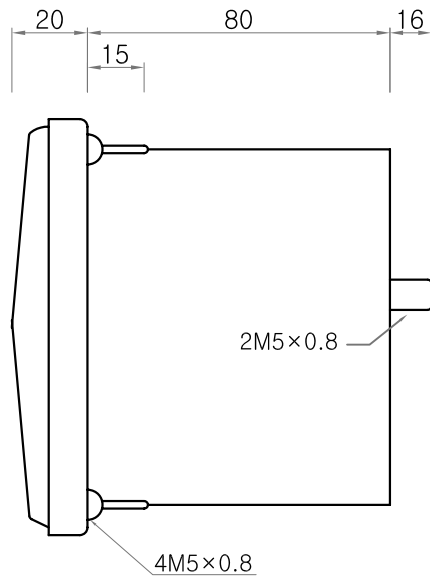


110

110



20

15

80

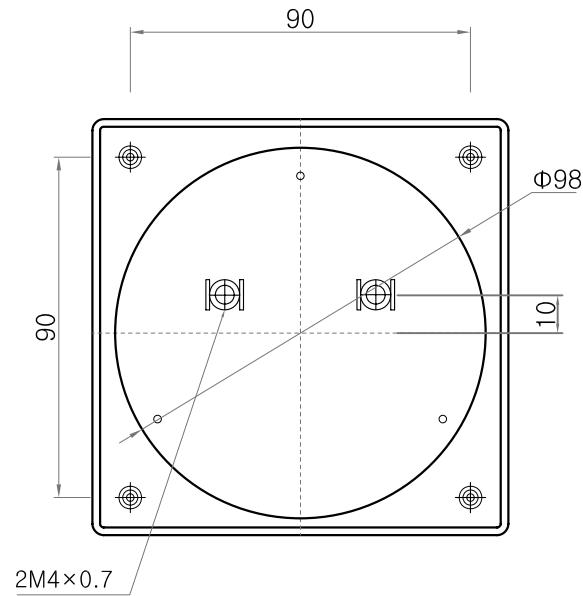
16

2M5x0.8

4M5x0.8

FRONT VIEW

SIDE VIEW



90

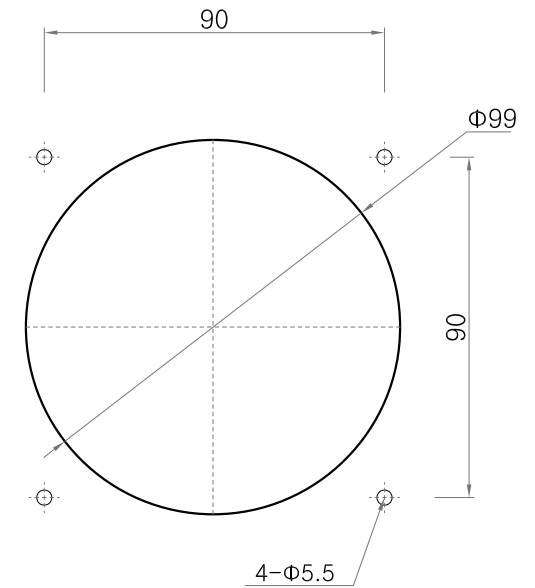
90

Φ98

10

2M4x0.7

REAR VIEW



90

90

Φ99

4-Φ5.5

Cutting Size

Daeboong
(주)대봉 E&C

PROJEC TTITLE

CHK'D BY	SCALE	1 : 2
CHK'D BY	DATE	2008. 5. 8
CHK'D BY	DRWN BY	

DRAWING TITLE
D-110

B.C.C NO	JOB NO	REV NO
DRWG NO	SHEET NO 31	