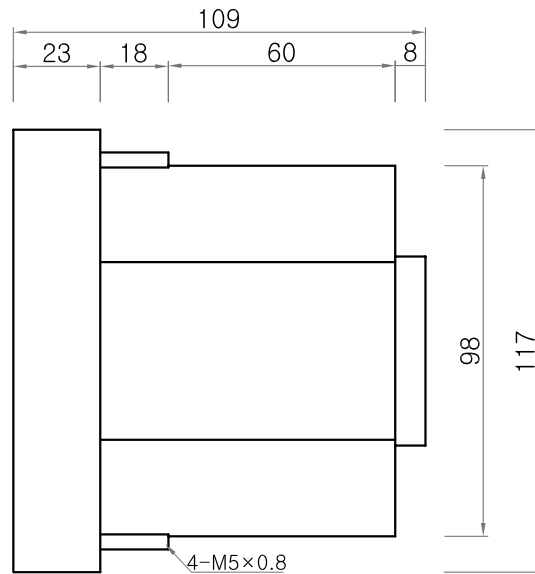
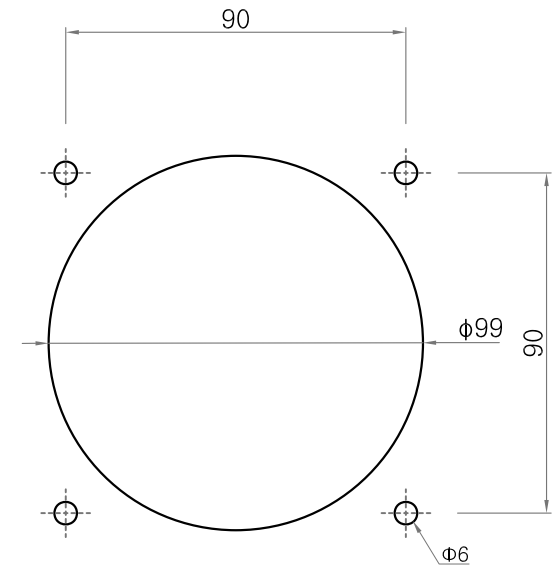


FRONT VIEW



SIDE VIEW



Cutting Size