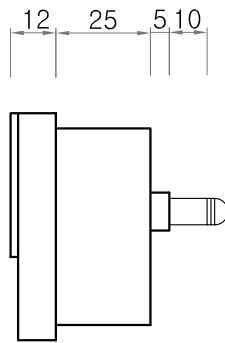
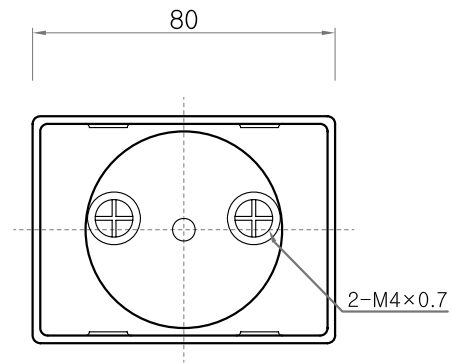


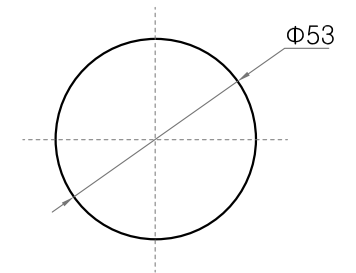
FRONT VIEW



SIDE VIEW



REAR VIEW



Cutting Size