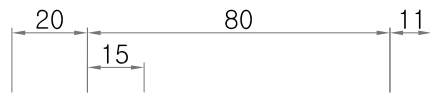


110

110

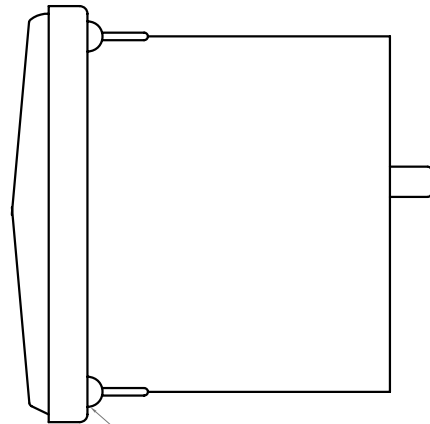


20

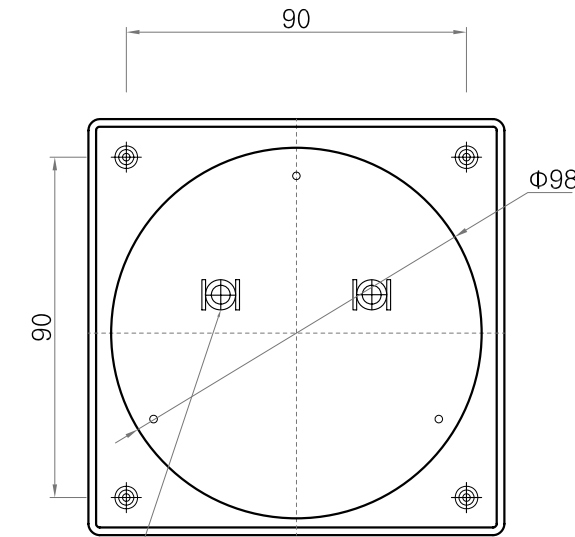
15

80

11



4-M5x0.8

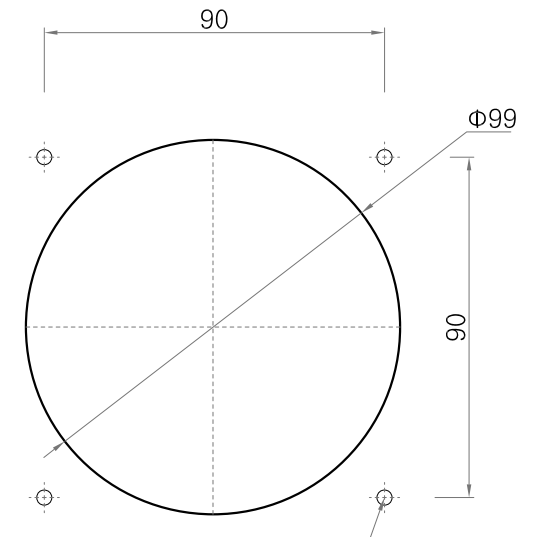


90

90

2-M4x0.7

Φ98



90

90

4-Φ5.5D

Φ99

FRONT VIEW

SIDE VIEW

REAR VIEW

Cutting Size

Daeboong  
(주)대봉 E&C

PROJEC TTITLE

CHK'D BY	SCALE	1 : 2
CHK'D BY	DATE	2008. 5. 8
CHK'D BY	DRWN BY	

DRAWING TITLE  
D-110

B.C.C NO	JOB NO	REV NO
DRWG NO	SHEET NO 31	